

# Exploded Diagram

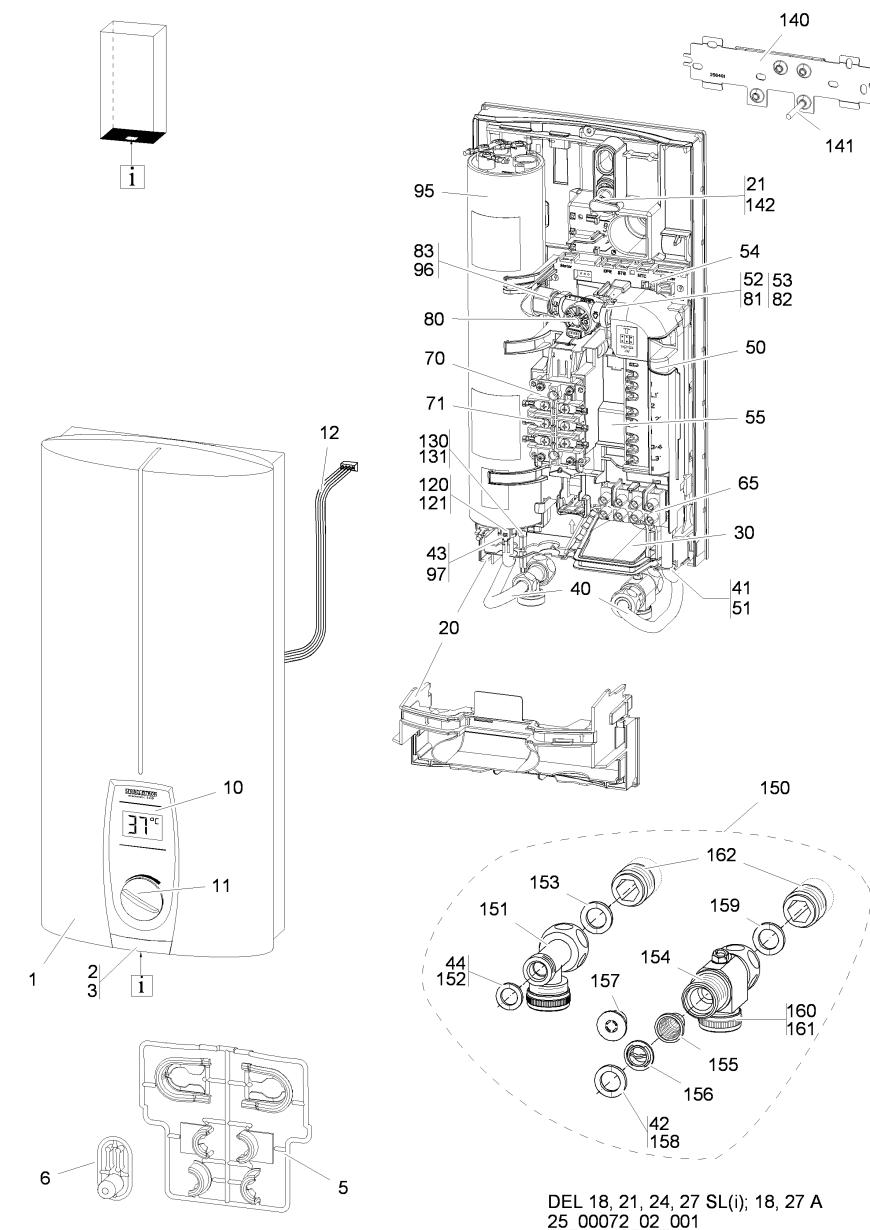
## DEL 18 A | DEL 27 A

### Instantaneous 3 Phase Electric Water Heater

Product Code 230136 | 230137

**STIEBEL ELTRON**

Technik zum Wohlfühlen



DEL 18, 21, 24, 27 SL(i); 18, 27 A  
25\_00072\_02\_001

POS.	PRODUCT CODE	DESCRIPTION	NUMBER	PRODUCT CODE	DESCRIPTION
95	220182	DEL18A ELEMENT	130	220503	TEMP SENSOR ELEMENT (NTC)
95	220185	DEL27A ELEMENT	40	220506	INLET/OUTLET PIPE ASSEMBLY
80	254452	FLOW SENSOR WHEEL	1	254580	WHITE PLASTIC COVER
70	220505	AIR RECOGNITION ASSY AP3	10	220829	DIGITAL CONTROL
50	286894	ELECTRICAL ASSEMBLY (PCB)			

STIEBEL ELTRON is committed to our policy of continual improvement, some features may have subsequently been changed or even removed. Our advisors will be happy to consult with you regarding the currently applicable equipment features. The images used in this brochure are for reference only.