

Data Sheet

ULTRONIC W | ULTRONIC S

STIEBEL ELTRON

Technik zum Wohlfühlen

Hand Dryer

Jet air stream at more than 300km/h



Ultronic W



Ultronic S

The advantages

- › Fast 15 second hand drying with air stream at more than 300km/h
- › Made in Germany
- › Low energy consumption operation
- › Curved design prevents items being placed on hand dryer
- › Non-element air heating for optimal efficiency
- › Hygienic touch free operation through I.R. Technology
- › Automatic energy efficient 3 second shut off after hands are removed
- › Easy wall mounted installation
- › Available in white (Ultronic W) or stainless steel look (Ultronic S)

Warranty

For full warranty information please visit www.stiebel.co.nz.

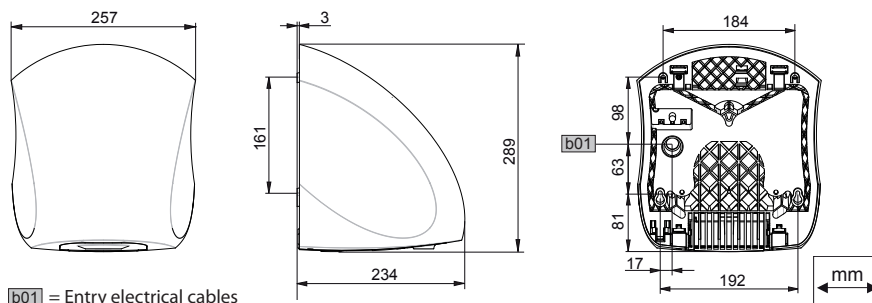
Technical Support

Stiebel Eltron NZ Limited
 Telephone: 09 486 2221 (New Zealand)
 Website: www.stiebel.co.nz
 Email: service@stiebel.co.nz

JET STREAM HAND DRYER

Model number	ULTRONIC W	ULTRONIC S
Electrical connection	1/N/PE - 240V (hard wired)	1/N/PE - 240V (hard wired)
Rated output	1070 W	1070 W
Casing	Diecast aluminium	Diecast aluminium
Operating noise	82dB (A)	82dB (A)
Air throughput	190m ³ /h	190m ³ /h
Runtime (hand drying)	15 seconds	15 seconds
IP Rating	IP23	IP23
Height	289 mm	289 mm
Width	257 mm	257 mm
Depth	234 mm	234 mm
Weight	4.4 kg	4.4 kg
Colour	Signal white	Stainless steel look
Test symbols	CE / VDE	

Ultronic hand dryer



STIEBEL ELTRON is committed to our policy of continual improvement, some features may have subsequently been changed or even removed. Our advisors will be happy to consult with you regarding the currently applicable equipment features. The images used in this brochure are for reference only.